



SN-1000C LCD  
SN-1500C LCD  
SN-2000C LCD



SN-2500C LCD  
SN-3000C LCD



### Features

- NEW** Smart Display & Quick Charge 3.0 USB
- NEW** Settings Fully Adjustable
- Bi-directional Inverter and 3-Stage Charging
- Pure Sine Wave Output
- Microcontroller Integrated
- Energy Saving Mode & Intelligent Fan Control
- Input & Output Fully Isolation
- Intelligent PWM Output Regulation
- Multi Pre-Alarm & Shutdown Alarm Protections:  
Battery Type Detection / Polarity Reverse / Low Voltage  
Short Circuit / Overheat / Overload
- Aluminum Housing
- 100% Made in Taiwan

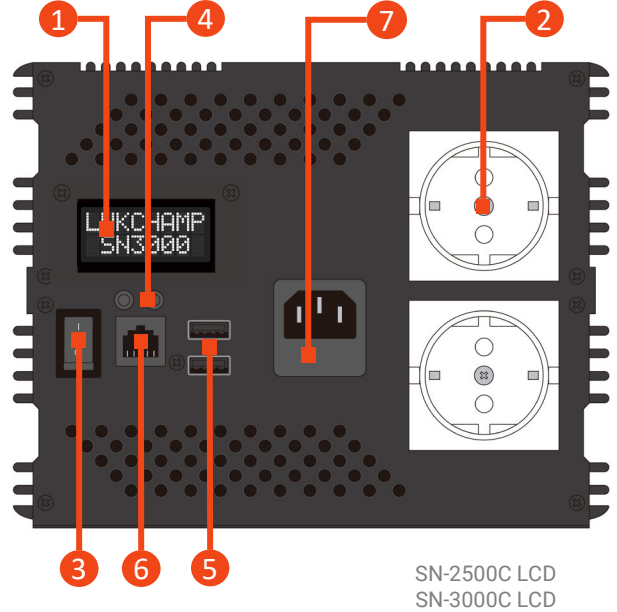
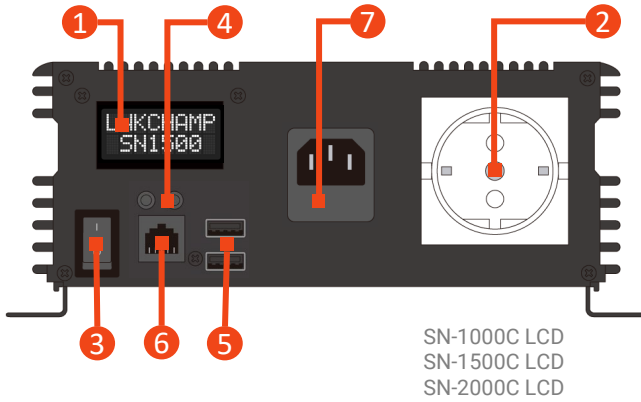
Model	SN-1000C LCD	SN-1500C LCD	SN-2000C LCD	SN-2500C LCD	SN-3000C LCD	
<b>System</b>						
Continuous Power	1000W	1500W	2000W	2500W	3000W	
Surge Power	2000W	3000W	4000W	5000W	6000W	
Output Voltage	EU: 220/230/240 VAC (⚙️ BTN); USA: 110/120/127 VAC (⚙️ BTN);					
Output Waveform	Pure Sine Wave					
Total Harmonic Distortion	< 3%					
Output USB Port	Quick Charge 3.0 x 2 Ports					
Standby Current (Normal)	DC 12V	< 1.0A	< 1.2A	< 2.0A	< 2.5A	
	DC 24V	< 0.8A	< 0.9A	< 1.3A	< 1.5A	
Standby Current (Saving)	< 0.15A					
Output Regulation	< ±5% Intelligent PWM					
Output Frequency	50/60 Hz (⚙️ BTN)					
Input Voltage	DC 12V: 10~15V; DC 24V: 20~30V					
Efficiency	> 85%					
Working Temperature	-20 ~ 40 °C (60°C @40% load)					
Storage Temperature	-20 ~ 70 °C					
<b>Protection</b>						
Input Type Auto-Detection	Yes					
Input Polarity Reverse Prot.	Fuse					
Input Low Voltage Prot.	DC 12V: < 10.5V Pre-Alarm, < 10V Auto-off & Alarm (± 0.3V)					
	DC 24V: < 21.0V Pre-Alarm, < 20V Auto-off & Alarm (± 0.5V)					
Input High Voltage Prot.	DC 12V: > 16V Auto-off & Alarm (± 0.5V)					
	DC 24V: > 32V Auto-off & Alarm (± 1.0V)					
Short Circuit Protection	Yes					
RCD (GFCI) Protection	Optional					
Overheat Protection	> 90°C Pre-Alarm, > 95°C Auto-off & Alarm					
Overload	Pre-Alarm	> 80% ~ 110%				
	Auto-off & Alarm	> 90% ~ 120%				
Cooling	Intelligent Fan / Force Cooling (⚙️ BTN)					
<b>Mechanical</b>						
Fuse	DC 12V	25A x 6PCS	25A x 7PCS	30A x 8PCS	25A x 12PCS	25A x 14PCS
	DC 24V	15A x 6PCS	15A x 7PCS	15A x 8PCS	15A x 12PCS	15A x 14PCS
AC Outlets	EU: 1; USA: 1					
Dimension (LxWxH) (mm)	430 x 227 x 88		430 x 227 x 88	525 x 227 x 88	430 x 200 x 157	525 x 200 x 157
Net Weight	5.2 kg		5.4 kg	7.8 kg	10.0 kg	11.0 kg
Display	8x2 LCD (8x2 OLED optional)					
RC Accessory	RC-S-SN, RC-M-BT, RC-P-INC					
<b>Battery Charger</b>						
Charging Current	DC 12V	20A				
	DC 24V	10A				
Battery Full Detection	YES					
Power Auto-Switch	AC LINE -> INVERTER; INVERTER -> AC LINE					
Switching Time	AC LINE -> INVERTER: < 16ms; INVERTER -> AC LINE: < 20ms					
Note (⚙️ BTN): Adjustable in display menu by Button						



# Pure Sine Wave DC-AC Inverter **SN-C LCD** Series

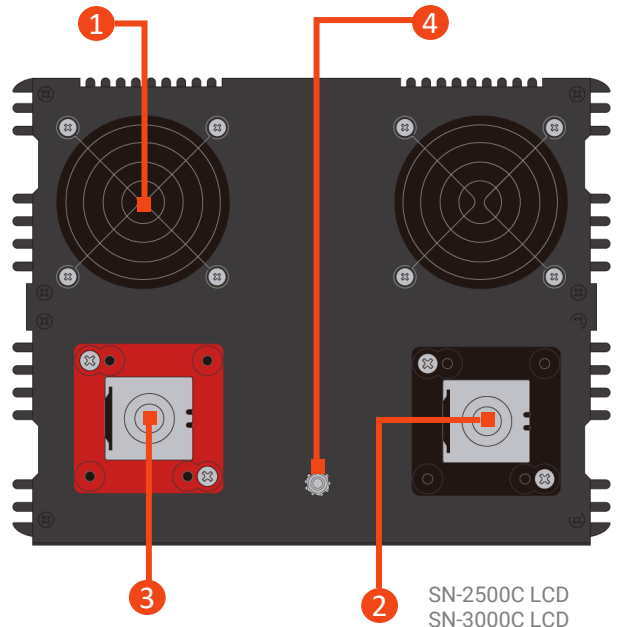
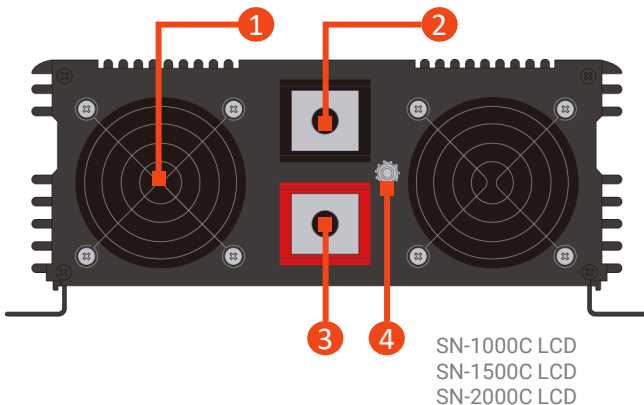
## ■ Front Panel

- ① 8x2 Display
- ② AC Output
- ③ Main Switch
- ④ Display Select Button
- ⑤ USB Port
- ⑥ Remote Port
- ⑦ AC Input (with Fuse)



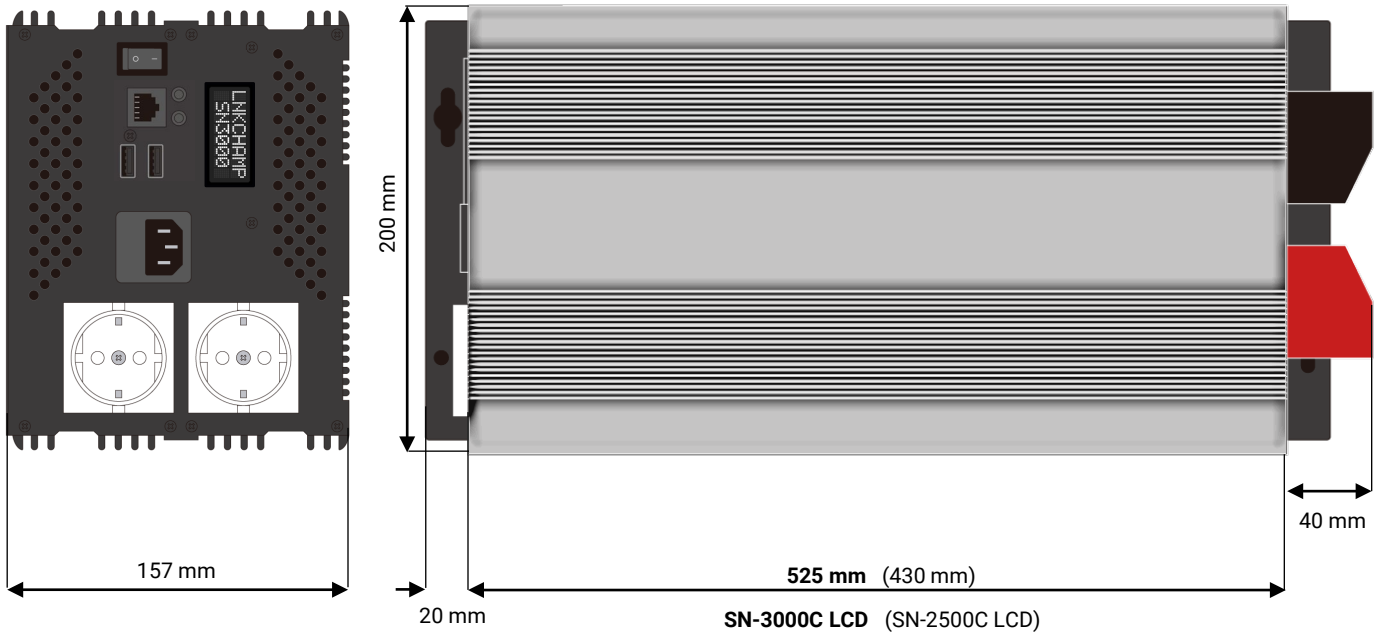
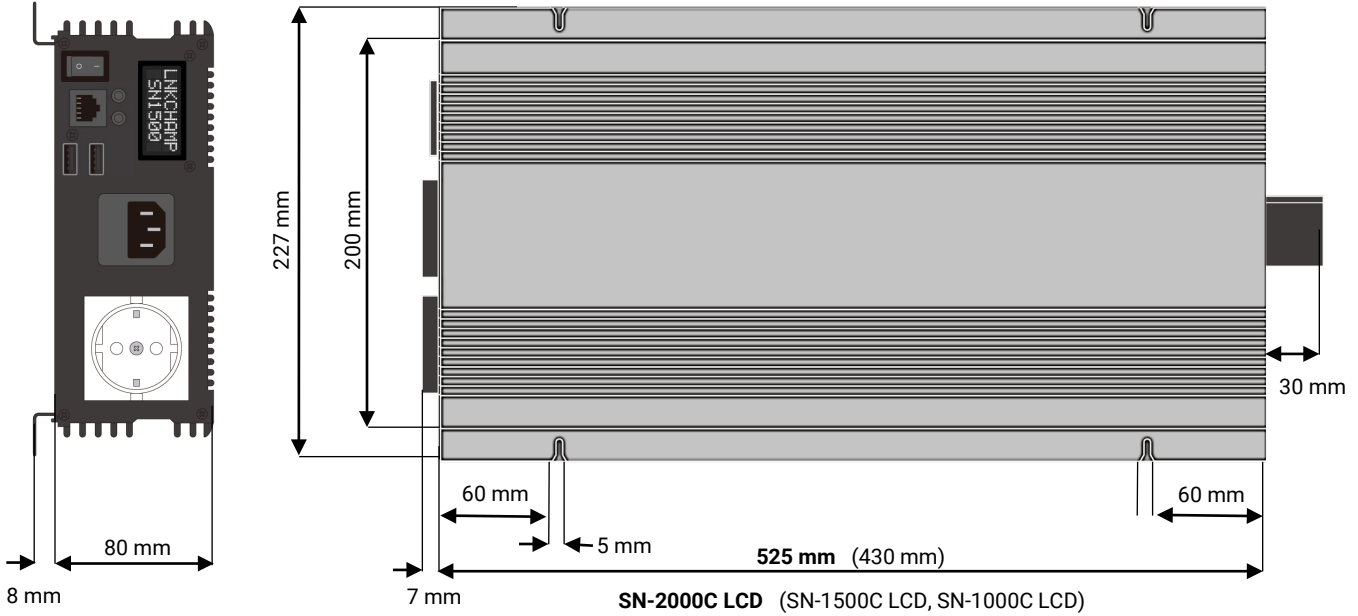
## ■ Rear Panel

- ① Fan
- ② Negative Terminal
- ③ Positive Terminal
- ④ Ground Terminal





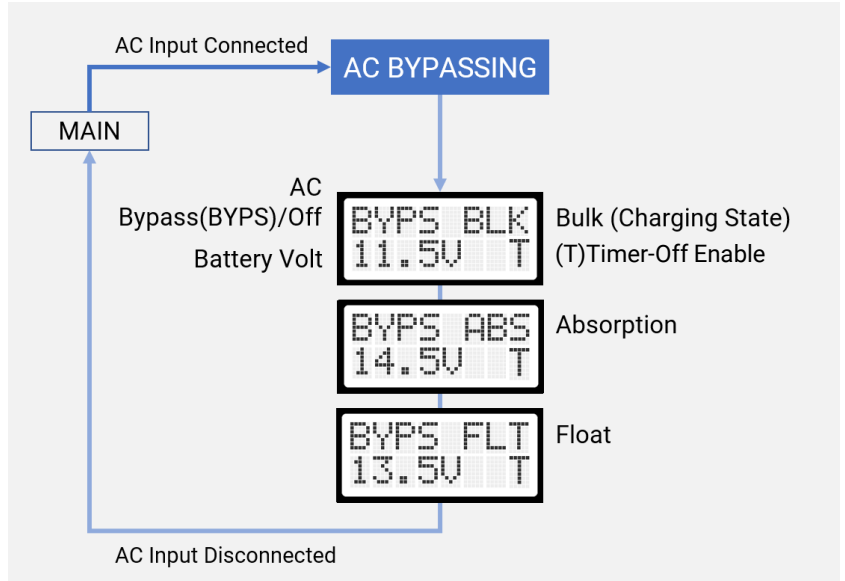
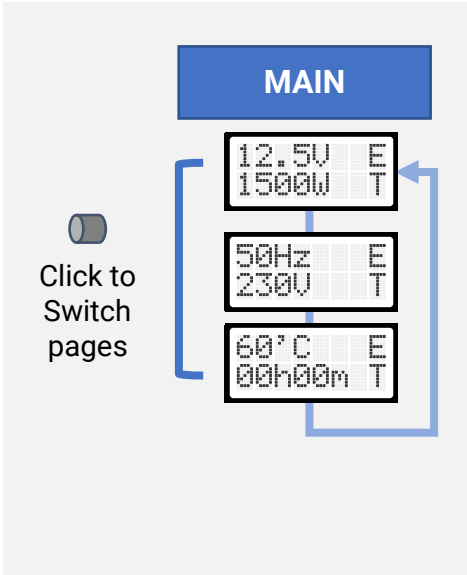
## ■ Mechanical Drawings





# Pure Sine Wave DC-AC Inverter **SN-C LCD** Series

## 8x2 Smart Display : Display Button



When encountering Protection events

