



Pure Sine Wave DC-AC Inverter

SN-LCD Series



SN-1000LCD
SN-1500LCD
SN-2000LCD



SN-2500LCD
SN-3000LCD



Features

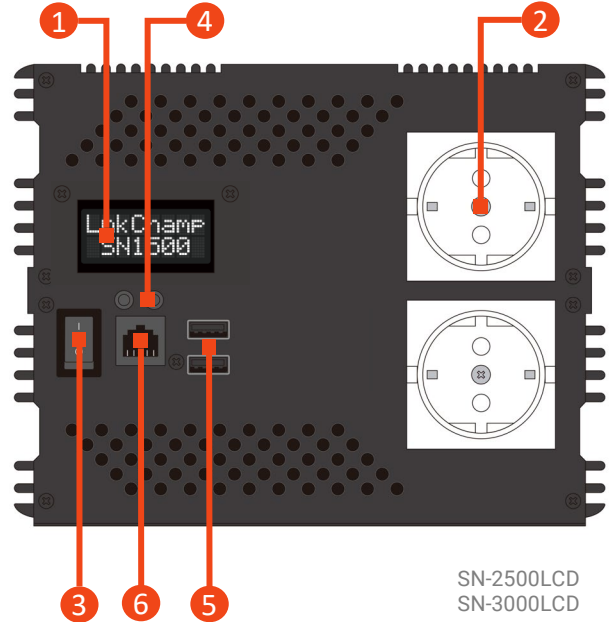
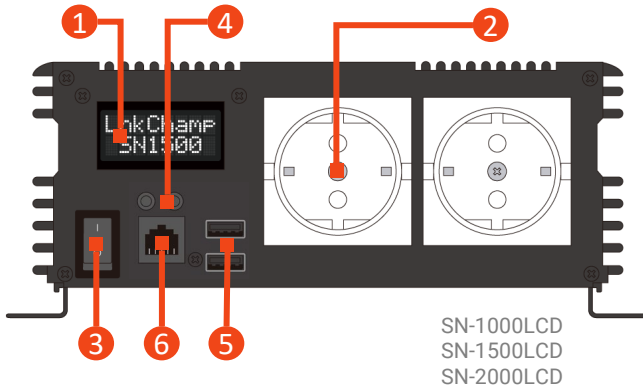
- **NEW** Smart Display & Quick Charge 3.0 USB
- **NEW** Adjustable Settings by Display Button
- Pure Sine Wave Output
- Microcontroller Integrated
- Energy Saving Mode & Intelligent Fan Control
- Input & Output Fully Isolation
- Intelligent PWM Output Regulation
- Multi Pre-Alarm & Shutdown Alarm Protections: Battery Type Detection / Polarity Reverse / Low Voltage Short Circuit / Overheat / Overload
- Aluminum Housing
- 100% Made in Taiwan

Model	SN-1000LCD	SN-1500LCD	SN-2000LCD	SN-2500LCD	SN-3000LCD	
System						
Continuous Power	1000W	1500W	2000W	2500W	3000W	
Surge Power	2000W	3000W	4000W	5000W	6000W	
Output Voltage	EU: 220/230/240 VAC (Display Button); USA: 110/120/127 VAC (Display Button);					
Output Waveform	Pure Sine Wave					
Total Harmonic Distortion	< 3%					
Output USB Port	Type A (QC3.0) or Type C (PD)					
Standby Current (Normal)	DC 12V	< 1.0A	< 1.2A	< 2.0A	< 2.5A	
	DC 24V	< 0.8A	< 0.9A	< 1.3A	< 1.5A	
Standby Current (Saving)	< 0.15A (APP)					
Output Regulation	< ±5% Intelligent PWM					
Output Frequency	50/60 Hz (APP)					
Input Voltage	DC 12V: 10~15V; DC 24V: 20~30V					
Efficiency	> 85%					
Working Temperature	-20 ~ 40 °C; 60 °C @40% load					
Storage Temperature	-20 ~ 70 °C					
Protection						
Input Type Auto-Detection	Yes					
Input Polarity Reverse	Fuse					
Input Low Voltage	DC 12V: < 10.5V Pre-Alarm, < 10V Auto-off & Alarm (± 0.3V) DC 24V: < 21.0V Pre-Alarm, < 20V Auto-off & Alarm (± 0.5V)					
Input High Voltage	DC 12V: > 16V Auto-off & Alarm (± 0.5V) DC 24V: > 32V Auto-off & Alarm (± 1.0V)					
Short Circuit	Yes					
RCD (GFCI)	Optional					
Overheat	> 90°C Pre-Alarm, > 95°C Auto-off & Alarm					
Overload	Pre-Alarm	> 110%				
	Shutdown	> 120%				
Cooling	Intelligent Fan / Force Cooling (APP)					
Mechanical						
Fuse	DC 12V	25A x 6PCS	25A x 7PCS	30A x 8PCS	25A x 12PCS	25A x 14PCS
	DC 24V	15A x 6PCS	15A x 7PCS	15A x 8PCS	15A x 12PCS	15A x 14PCS
AC Outlets	EU: 2; USA: 2 (GFCI optional)					
Dimension (L x W x H)	360 x 227 x 88 mm	360 x 227 x 88 mm	430 x 227 x 88 mm	360 x 200 x 157 mm	430 x 200 x 157 mm	
Net Weight	4.3 kg	4.6 kg	5.7 kg	7.5 kg	9.0 kg	
Display	8x2 LCD (8x2 OLED optional)					
RC Accessory	RC-S-SN, RC-M-BT, RC-P-INV					
Note: (): Adjustable by Display Button (): Adjustable by App with RC-M-BT						



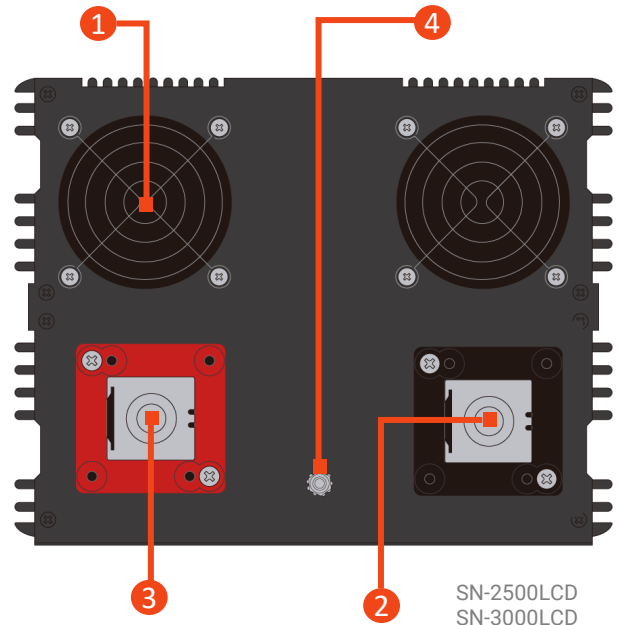
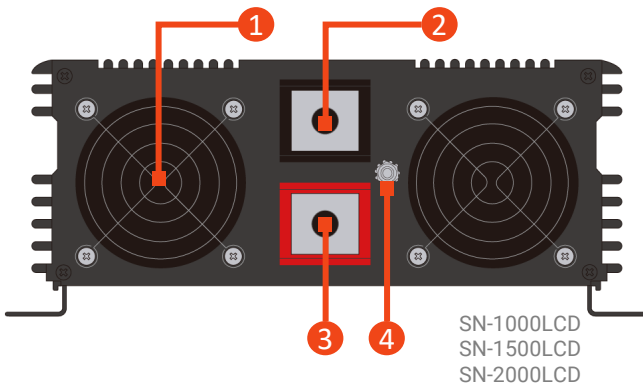
■ Front Panel

- ① 8x2 Display
- ② AC Output
- ③ Main Switch
- ④ Display Select Button
- ⑤ USB Port
- ⑥ Remote Port



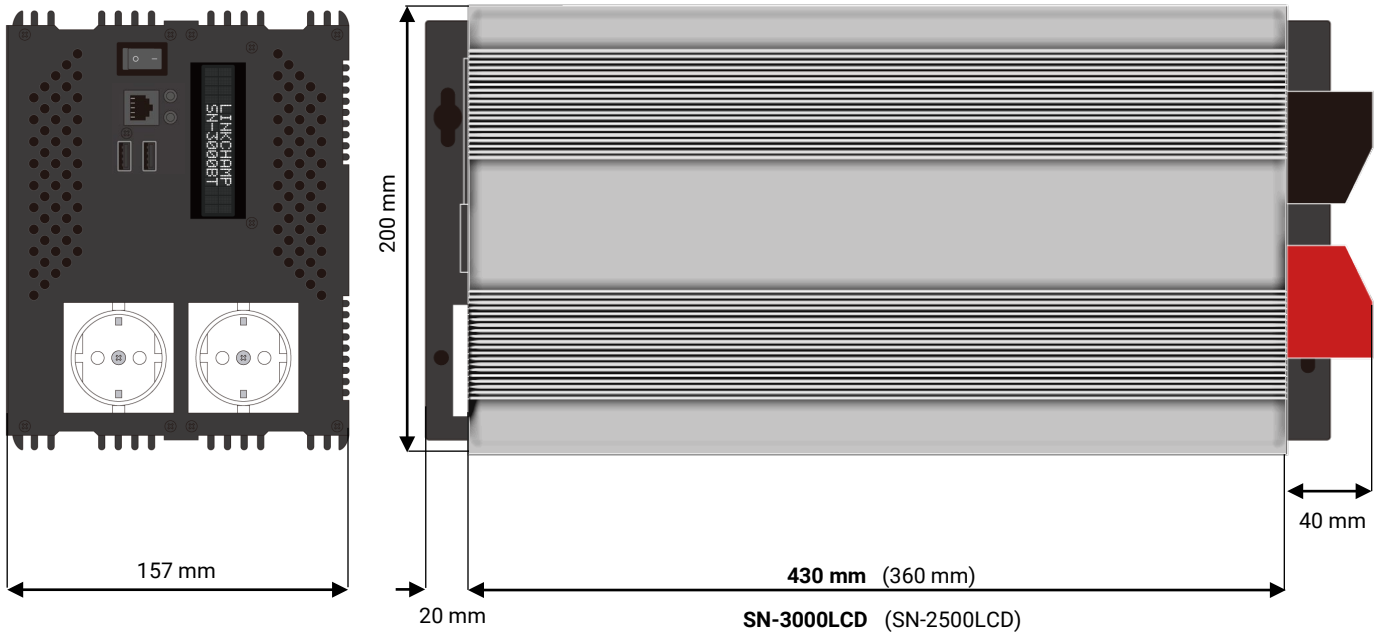
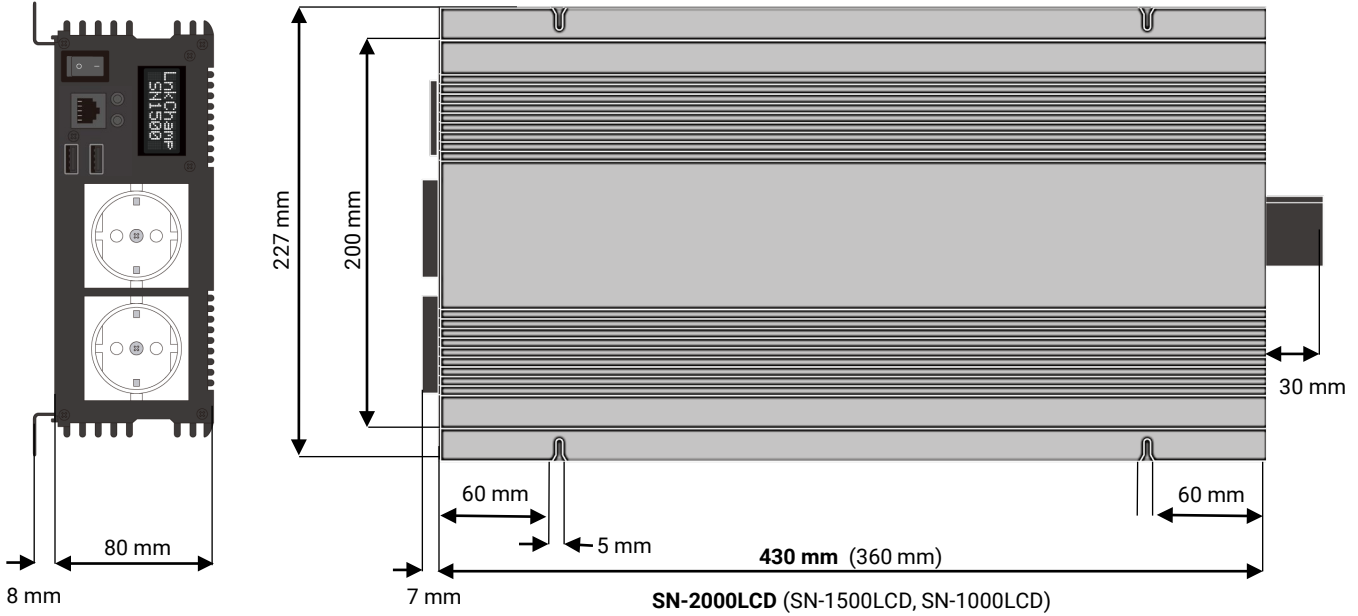
■ Rear Panel

- ① Fan
- ② Negative Terminal
- ③ Positive Terminal
- ④ Ground Terminal



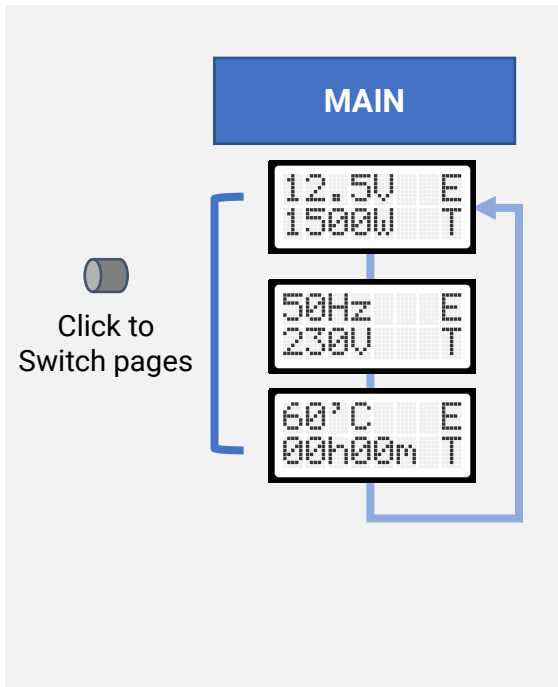


■ Mechanical Drawings

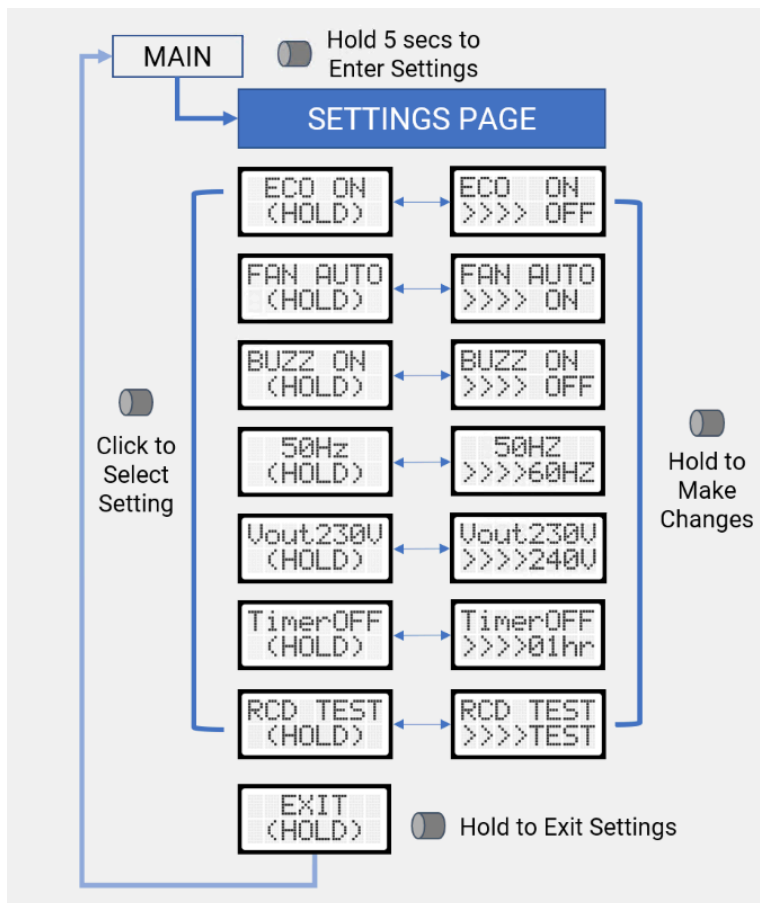
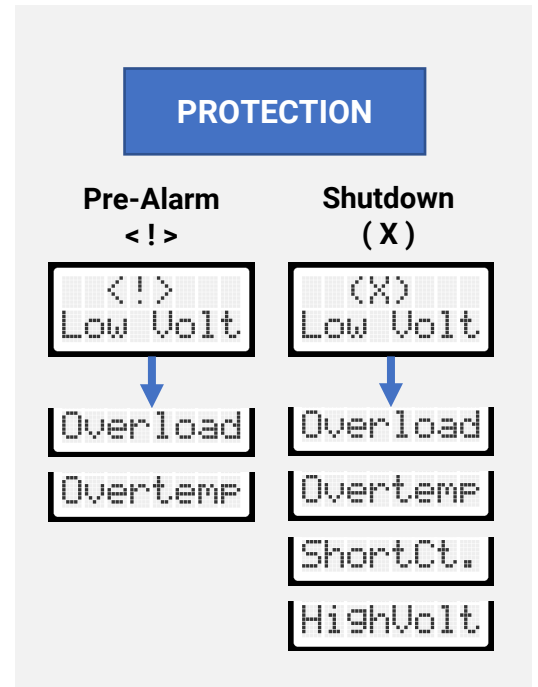




8x2 Smart Display : Display Button



When encountering Protection events





■ **Smartphone Control** (Remote Control RC-M-BT required)

SN-1000LCD
SN-1500LCD
SN-2000LCD
SN-2500LCD
SN-3000LCD



RC-M-BT

